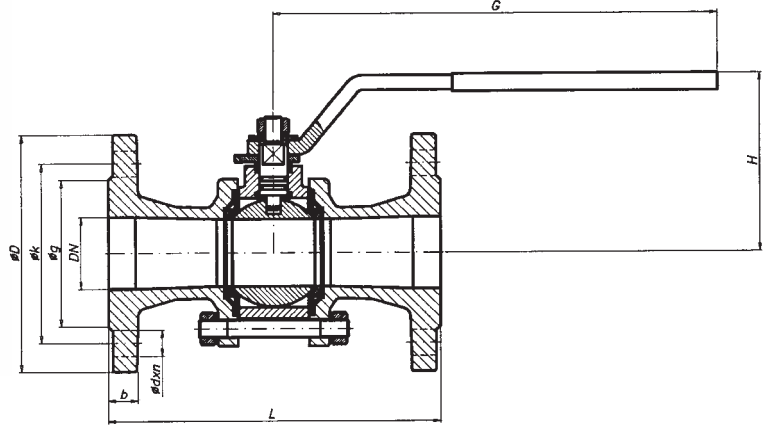
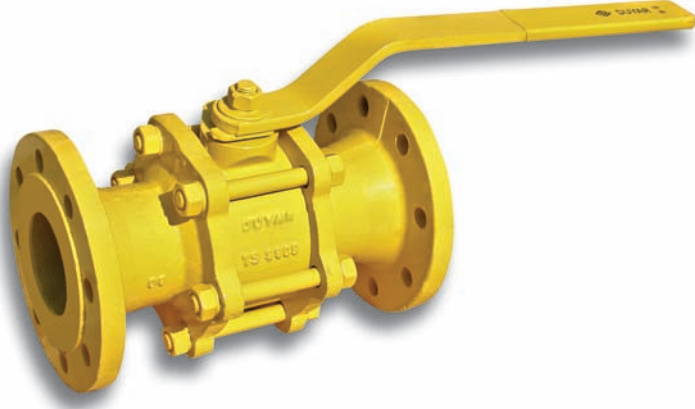


**DUYAR****DOĞALGAZ KÜRESEL VANASI**  
GAS BALL VALVE

DN15...125 TG

MALZEME ÖZELLİKLERİ / MATERIALS		
PARÇA ADI	PART NAME	MALZEME / MATERIAL
GÖVDE	BODY	GG25/GGG40/GGG50
FLANŞ	FLANGE	GG25/GGG40/GGG50
KOL	LEVER	St-37
MİL	STEM	SS
KÜRE	BALL	SS
TABAK YAY	SPRING SEALS	SS + PTFE
RİNGLER	SEALS	PTFE
O-RİNG	O-RING	VITON

Anma Basıncı Nominal Pressure		MOP5-20						PN 16			PN 25				
		DN	15	20	25	32	40	50	65	80	100	125	150	200	
Anma Çapı Nominal Diameter	DN	15	20	25	32	40	50	65	80	100	125	150	200		
Vana Boyutları Valve Dimensions TSEN331 / TS9809	L	130	150	160	180	200	230	290	310	350	400	350	400		
	G max.	155		240			310			435		555		700	
	H max.	80	85	90	110	115	125	135	155	170	185	240	270		
Flanş Ölçüleri Flange Dimensions TS ISO 7005-2 DIN2501	D	95	105	115	140	150	165	185	200	220	270	300	360		
	k	65	75	85	100	110	125	145	160	180	220	250	310		
	g	45	58	68	78	88	102	122	138	158	184	211	274		
	b	14	16		18			20		22	24	26	28	30	
	d	14			18				18			28			
Delik Adedi / Hole Qty		4						8			12				
Ağırlık / Weight	Kg.	2.3	3	4	5.8	7	10	15.2	22.8	33.2	54.4	84	116		

18

**DGD-25****DOĞALGAZ KÜRESEL VANASI**