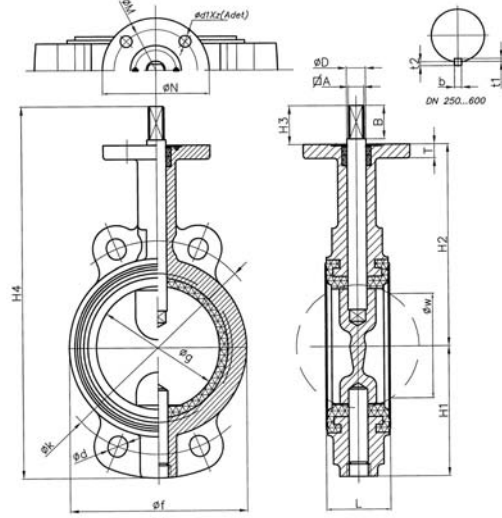


DUYAR

WAFER TİP KELEBEK VANA WAFER TYPE BUTTERFLY VALVE

PN 16
DN 40... DN 600



UYGULAMALAR

- HVAC Isıtma ve soğutma sist.
- Arıtma tesisleri
- Kağıt Endüstrisi
- Tatlı su tesisatları

APPLICATIONS

- HVAC Heating Cooling System
- Paper Industry
- Fresh water systems

MALZEME ÖZELLİKLERİ / MATERIALS

PARÇA ADI	PART NAME	MALZEME / MATERIAL
GÖVDE	BODY	GG25 / GGG40
KLAPE	DISC	SS/NI. KAPLI/PLATED STEEL
KOL	LEVER	METAL
MİL	STEM	SS
SIZDIRMAZLIK YA	SEAT	EPDM
SALMASTRA	PACKING	NBR 18

Anma Basıncı Nominal Pressure		PN 16										PN 10					
Anma Çapı Nominal Diameter	DN	40	50	65	80	100	125	150	200	250	300	350	400	450	500	600	
	R	1 1/2"	2"	2 1/2"	3"	4"	5"	6"	8"	10"	12"	14"	16"	18"	20"	24"	
Vana Boyutları Valve Dimensions	g	40	53.4	65.4	80.4	103.7	127.5	150	200	250.5	300.5	351	398.5	455	492.5	582	
	t	85	92	107	122	150	179	206	257	316	370	410	468	526	577	677	
	H1	60	75	80	100	110	125	145	175	210	245	280	315	335	385	450	
	H2	120	130	137	157	171	184	203	238	270	310	325	375	400	435	500	
	H3	33										65	75	100			
	H4	213	238	250	290	314	342	381	446	545	620	670	765	810	920	1050	
	L	33	43	46	52	56	60	68	78	102	114	127	154				
	T	12										16	17	20	23		
	W	22.6	31.7	46.5	65.9	89.7	115	139	191	241.1	290.2	342.2	385.2	437.5	475.8	561.3	
	A	9.5			11.8			14.5									
	t1											4	5	5.5			
	t2											3			3.5		
	b											8	12	14			
	B	30										60	70	90			
	DN	14			16			19			22	28	38	45	55		
M	70										102	140	165				
N	90										125	175	210				
d1 x z	10 x 4										12 x 4	18 x 4	22 x 4				
Flanş Ölçüleri Flange Dimensions	k	110	125	145	160	180	210	240	295	355	410	470	525	585	650	770	
	d	18										22	26	30	33	36	
Delik Adedi / Hole Qty	4																
Ağırlık / Weight	Kg.	2	2.5	3.5	4	4.5	7	8.5	12	17	33	39	75	92	110	169	

DCB-16

WAFER TİP KELEBEK VANA